



# Cat<sup>®</sup> AP300F PAVER

## TOP FEATURES:

### TECHNOLOGY THAT WORKS FOR YOU

- Powerful Cat<sup>®</sup> C3.3B engine meets regional emissions requirements
- Auto-fill feeder system simplifies setup
- Single touch feeder system activation optimizes efficiency
- Automated travel feature; augers and hydraulic mainframe extensions raise with the screed, preventing damage during transport
- Single-touch hopper control enables operators to concentrate on other duties
- Product Link™ remotely monitors machine location, daily hours of operation, fuel consumption, fault codes, and preventative maintenance status, for optimal machine support

### HIGH QUALITY RESULTS, HIGHER EARNINGS

- SE34 V and SE34 VT screeds available; vibration only or tamper-bar w/vibration
- Paving range of 700 mm (27.5") to 4000 mm (157")
- Electrically heated screed plates, easily replaceable
- Heated end gates help provide smooth flow
- Quick extension installation/removal in ±30 minutes
- Variable frequency available for the tamper bar and vibration systems

### LOW OWNING AND OPERATING COSTS

- Exclusive eco-mode and automatic engine speed control, reduce fuel consumption and lower sound levels for better comfort and communication
- Million cycle switches provide reliability
- Conveyor bed plates and chain guards designed to minimize labor requirements and provide lower cost replacement
- Heating elements slide-out for easy replacement
- Machined screed frames simplify screed plate leveling

### UNMATCHED AFTER-THE-SALE SUPPORT

- Strategically located dealers with 24/7 support
- In-the-Iron service training for technicians
- Paver Operator Training helps maximize machine performance
- Project consulting helps improve technique and job site management

## Specifications:

### Weight

Tractor only	6600 kg	14,550 lb
w/SE34 V screed	8000 kg	17,637 lb
w/SE34 VT screed	8200 kg	18,078 lb

### Paving Range

Standard range	1.75 - 3.42 m	5' 9" - 11' 2"
Maximum w/extensions	4.0 m	13' 1"
Reduction attachment	700 mm	27.5"
Screed vibration frequency	50 Hz	3000 vpm
Screed tamper-bar frequency	30 Hz	1800 vpm
Screed crown adjustment	+4.5% to -2.5%	

### Capacities

Maximum throughput capacity	406 Tonnes	447 tons
Hopper Capacity	3.8 m <sup>3</sup>	134 ft <sup>3</sup>
Fuel tank	110 L	29.0 gal
Cooling system	9 L	2.4 gal
Engine oil	13.2 L	3.5 gal
Hydraulic tank	80 L	17.6 gal
Washdown spray tank	28 L	6.2 gal

### Engine – Powertrain

Engine model*	Cat C3.3B		
Gross power:	55 kW	73.8 hp	74.8 metric hp
Number of cylinders	4		
Rated engine speed	2200 rpm		

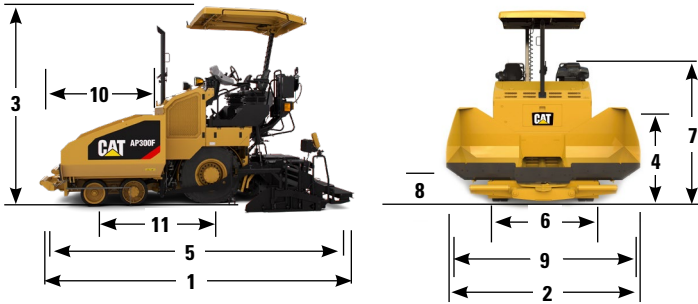
\* Engine options are available in order to meet U.S. EPA Tier 4 Final, EU Stage V, or emissions equivalent to U.S. EPA Tier 3, EU Stage IIIA, China Off-Road Stage III, or emissions equivalent to U.S. EPA Tier 2 and EU Stage II.

#### Speed ranges:

Paving - vibratory screed	61 mpm	200 fpm
Paving - tamper-bar screed	25 mpm	82 fpm
Travel	0 - 16 km/hr	10 mph
Steering (Inside)	1.65 m	5' 5"
Maneuver mode	500 mm	20"



## Dimensions:



1 Overall length w/screed	5047 mm	(16' 6")
2 Operating width (hoppers lowered)	3180 mm	(10' 5")
3 Operating height	3415 mm	(11' 2")
4 Operating deck height	1313 mm	(4' 3")
5 Transport length w/screed	4904 mm	(16' 1")
6 Transport width w/end gates	1897 mm	(6' 2")
7 Transport height w/canopy retracted	2645 mm	(8' 8")
8 Truck entry height - hopper	547 mm	(21.5")
9 Truck entry width	3150 mm	(10' 4")
10 Hopper length w/push-roller	1993 mm	(6' 4")
11 Wheel base	1987 mm	(6' 6")

### Cat® C3.3B Engine

- Meets Regional Emissions
- Eco-Mode Saves Fuel

### High-Tech Machine Controls

- Single-Touch Feeder System
- Single-Touch Hopper Control



### Excellent Maneuverability

- Front Wheel Assist

### SE34 VT and V Screeds

- Tamper Bars (VT) and Vibration
- Vibration only (V)

For more complete information on Cat products, dealer services, and industry solutions, visit us on the web at [www.cat.com](http://www.cat.com)

QEHQ1929-04 (9-2019)

© 2019 Caterpillar. All Rights Reserved. CAT, CATERPILLAR, LET'S DO THE WORK, their respective logos, "Caterpillar Yellow", the "Power Edge" and Cat "Modern Hex" trade dress as well as corporate and product identity used herein, are trademarks of Caterpillar and may not be used without permission.

